

4 Channel Hermaphroditic Fiber Optic Cable Connectors

Description:

Fiber optic cable connectors for harsh environment applications

Applications:

- Commercial broadcast cable
- Military tactical field usage
- Petroleum field exploration
- Field deployment
- Shipboard/pierside

Features:

Genderless connection Cable connectors will link (concatenate) to identical connectors without regard to connector gender

Channel count 2 or 4 fiber optic channels

Fiber type compatibility Both single and multimode compatible in the same connector

Ruggedness Designed to withstand crush, impact, cable pull-out, cable twist, bending moment, water and mud immersion, and many other harsh environments

Reliability Proven performance in harsh environments



For more information, please contact us or visit our website at www.delphiconnect.com.

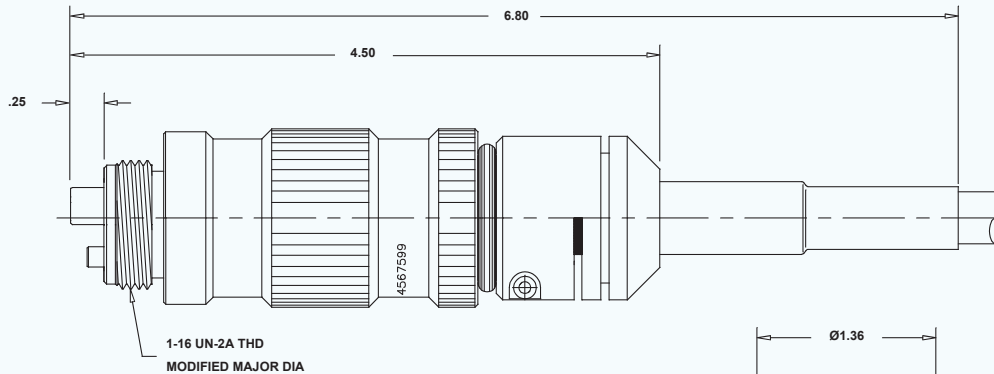
Connector Performance Criteria:

Optical Insertion Loss	9/125 SM Fiber -0.25 dB avg., 62.5/125 MM Fiber -0.6 dB avg. Note - Values measured at 1300 nm per TIA/EIA-455-34
Optical Backreflection (sm)	Better than -40 dB with PC polish, better than -50 dB with enhanced PC polish
Mating Durability	1000 cycles minimum per TIA/EIA-455-21
Vibration	Per MIL-STD-1344, Method 2005, Condition II & VI-A
Mechanical Shock	Per TIA/EIA-455-2, Method C
Thermal Shock	-54°C to +85°C* per TIA/EIA-455-3, test condition A
Operating Temperature Range	-54°C to +85°C*
Storage Temperature	-65°C to +85°C*
Corrosion Resistance	500 hours salt spray per TIA/EIA-455-16
Ozone Exposure	ASTM-D-1149, 100-150 PPM for 2 hours
Temperature Humidity	Per TIA/EIA-455-5, type 2
Crush Resistance	225 pounds per TIA/EIA-455-26
Maintenance Aging	10 contact insertions/removals per MIL-STD-1344, Method 2002
Terminus (Contact) Retention Force	22 pounds minimum per MIL-STD-1344, Method 2007
Cable Retention	400 pounds minimum per TIA/EIA-455-6 (depending on cable construction)
Cable Seal Flexing	100 cycles per MIL-STD-1344, Method 2017
Cable Twist	1000 cycles per TIA/EIA-455-36
External Bending Moment	45 ft-lb at mounting panel
Impact	Per TIA/EIA-455-2
Water Pressure Sealing	Up to 25 PSI for 48 hours
Fluid Immersion	24 hours per fluid, per TIA/EIA-455-12

* Temperature ranges listed above are limited by the fiber optic cable performance window.

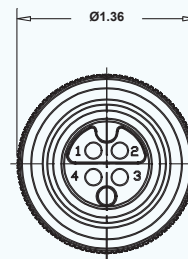
4 Channel Hermaphroditic Fiber Optic Cable Connectors

Cable Plug

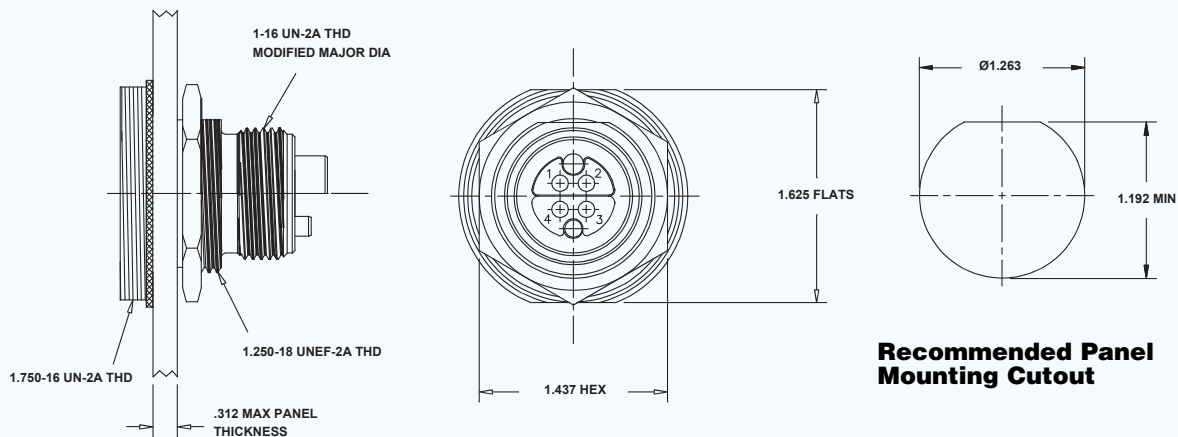


Coupling Nut Shown in Retracted Position

Interface View



Receptacle, Jam Nut Mount



Recommended Panel Mounting Cutout

DELPHI

www.delphiconnect.com

Connection Systems

17150 Von Karman Avenue

Irvine, CA 92614 USA

Tel: [1] 949.660.5701

Fax: [1] 949.660.5825



Printed on Recycled Paper.

© 2001, Delphi Automotive Systems. All rights reserved.

Printed in the U.S.A.

DP-01-E-018

0401/5M-YL